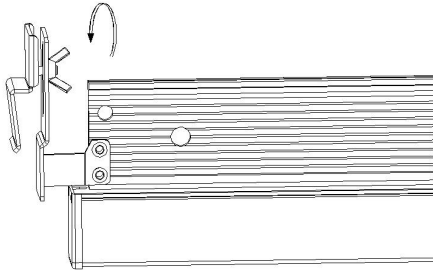


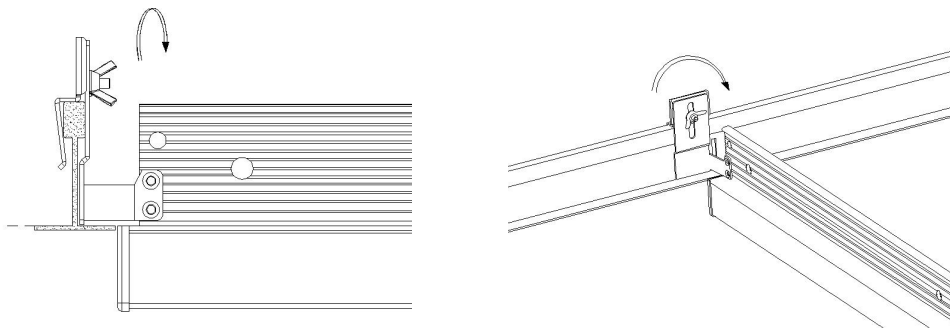
1. Unpack and check the luminaire and accessories. Wear work gloves to keep the light clean, avoiding any oil or dirt transferred to it.

2. Turn off the main power.

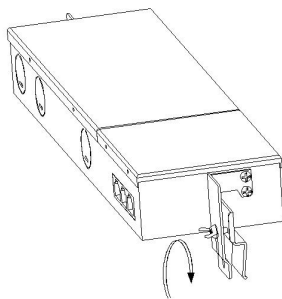
3. Screw off the two nuts of the T-BAR LED terminal



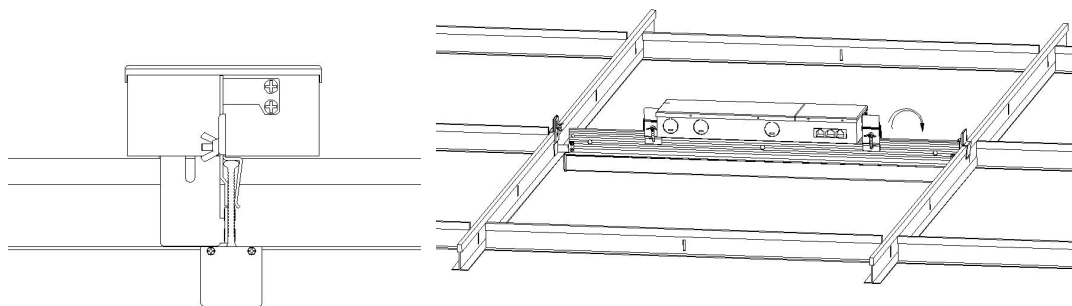
4. Install T-BAR LED to ceiling grid and tighten the two end nuts



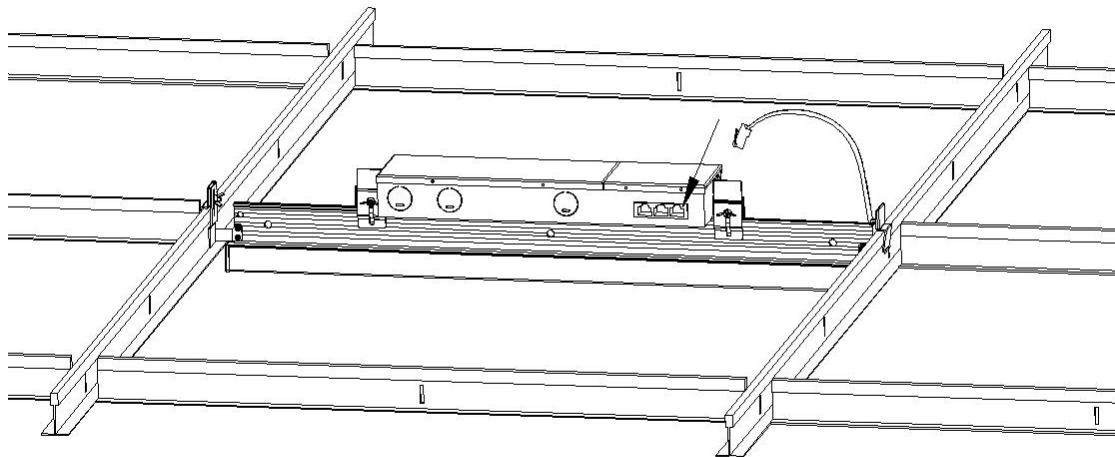
5. Screw off the two end nuts of driver box



6. Fix the driver box to T-BAR LED and tighten the two end nuts



7. Plug in the Registered Jack to driver box



8. Uncover the driver box, to connect the L(Live), N(Neutral), G(Ground) wires by using the 4-pin connectors and connect the dimming wire with the orange connector cap. Close the driver box after wired.

9. Cover the plasterboard to finish installation

